

Metal switch without latching, black, mounting diameter 22mm, IP65

Product codes:

Reference: AM0070

EAN13: -

UPC: 85365080



Product features:

Housing material: Steel

Waterproof grade: IP65

Mounting hole: 22 mm

Max. switching current: 4 A

Locking: No

Operating temperature: -25 °C - +80 °C

IC coverage: IK10

Product attributes:

Tension: 12-24 V DC, 110-220 V AC

Backlight color: Red, Green, Blue,
Yellow, White

Product description:

The push-button switch for panel mounting is designed for control, signaling, and management applications in electrical devices and switchboards. The design without latching returns the button to its initial position after release. Integrated LED backlight serves for optical state signaling according to the selected color and voltage variant.

Technical specifications

- Product type: panel push-button switch
 - Switch design: without latching
 - Mounting hole diameter: 22 mm
 - Backlight: LED
 - Available LED colors: yellow, blue, green, white, red
 - Available LED voltage variants: 12-24 V DC, 110-220 V DC
-

- Contact configuration: 1NO1NC, 2NO2NC
- Maximum voltage specified for the product: 220 V
- Maximum current specified for the product: 4 A
- Protection degree: IP65
- Contact material: silver contacts
- Shell material: copper nickel-plated shell
- Head shape: high or flat head
- Backlight type: ring LED, power symbol with LED
- Operating temperature specified for the product: -25 to +80 °C

Functions and features

- The momentary function without latching is suitable for short-term switching of the control circuit.
- LED backlight allows visual differentiation of the function or state of the control element.
- Mounting into a 22 mm hole corresponds to the standard panel design of control elements.
- The metal body is designed for firm mechanical attachment in the panel using a mounting nut.
- LED color variants allow differentiating control or signaling functions in the device.
- LED voltage variants allow use in low-voltage DC circuits as well as in circuits with higher DC voltage according to the selected variant.

Ideal for

- Control panels of electrical devices
- Switchboards and control cabinets
- Signaling and control circuits
- Machine and workshop equipment
- DIY constructions requiring a panel push-button with LED signaling

Package contents

- 1 pc push-button switch
- Mounting nut
- Sealing ring

Why choose this product

- The switch combines a control function and LED signaling in one panel element.
 - The design without latching is suitable for control where the switching should be active only during the press.
 - The 22 mm mounting hole allows use in standard control panels.
 - Available color variants facilitate the differentiation of functions in the control system.
-

- IP65 protection degree provides protection against dust and splashing water when correctly mounted into a suitable panel.

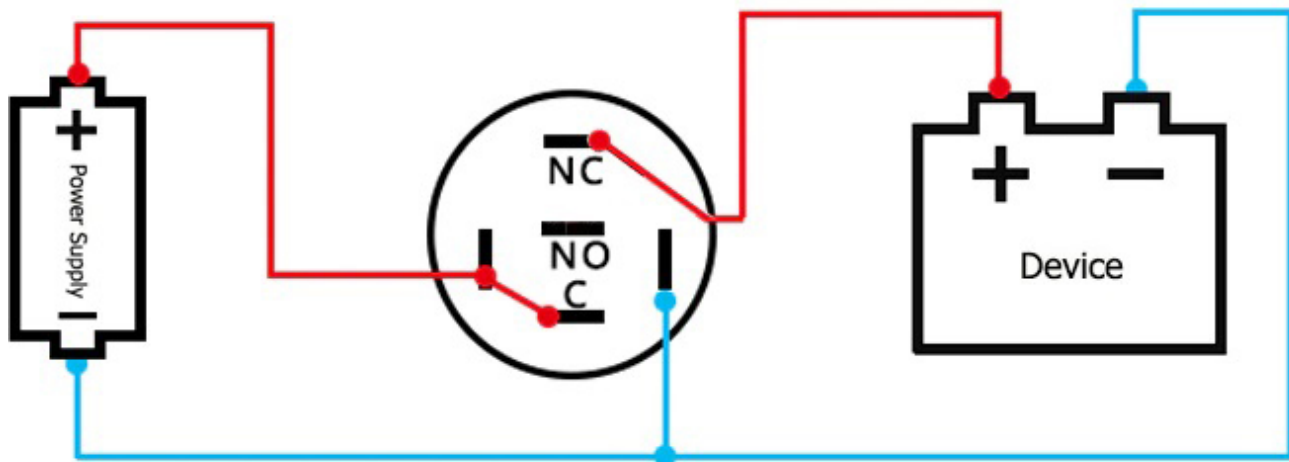
Installation and operation instructions

- Install the switch only into a panel with a corresponding 22 mm mounting hole.
- Before wiring, verify the selected LED voltage variant and contact configuration.
- Perform the contact wiring according to the required function of the controlled circuit.
- To maintain the protection degree, the switch must be correctly seated and tightened in the panel.
- Installation and connection may only be performed by a person with appropriate electrotechnical qualifications.

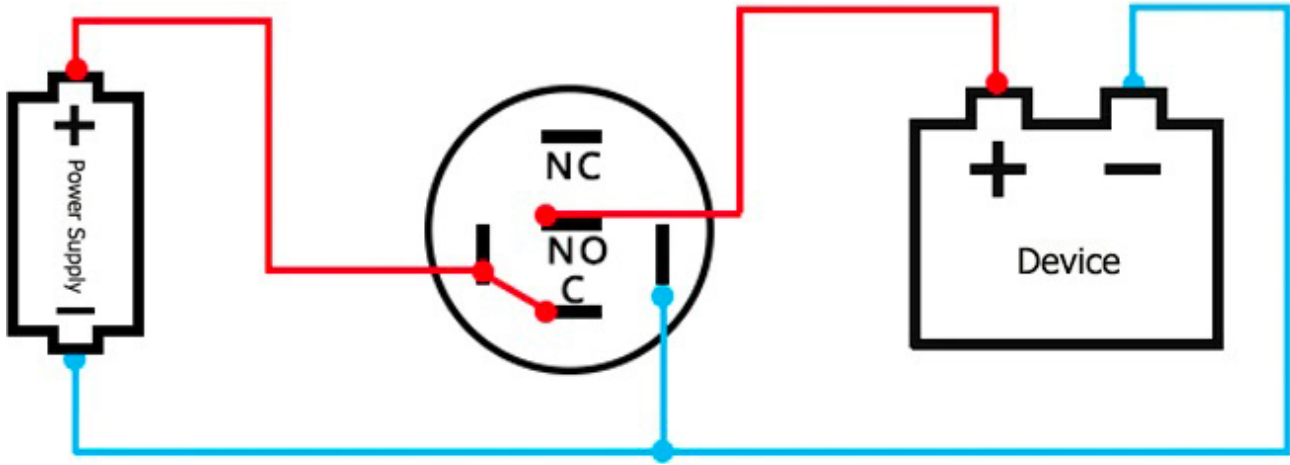
Safety warnings

- Always disconnect the device from the power supply before installation and wiring.
- For the 110-220 V DC variant, there is a risk of electric shock, short circuit, or device damage in case of incorrect wiring.
- Do not exceed the specified electrical values of the product.
- Use the switch only in circuits corresponding to the selected LED voltage variant and contact parameters.
- After installation, check the firmness of the attachment, correctness of the wiring, and insulation of the wires.

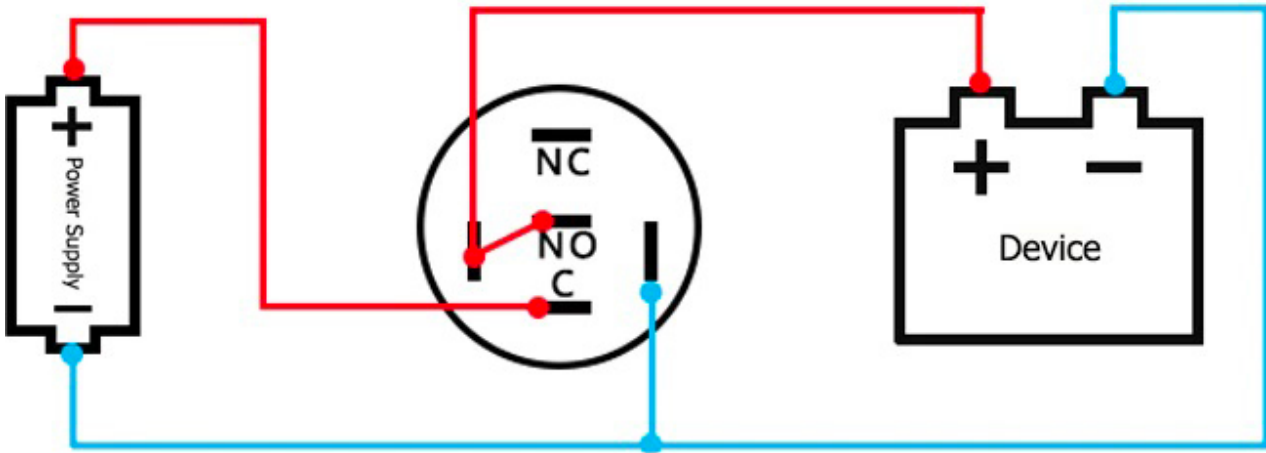
WIRING



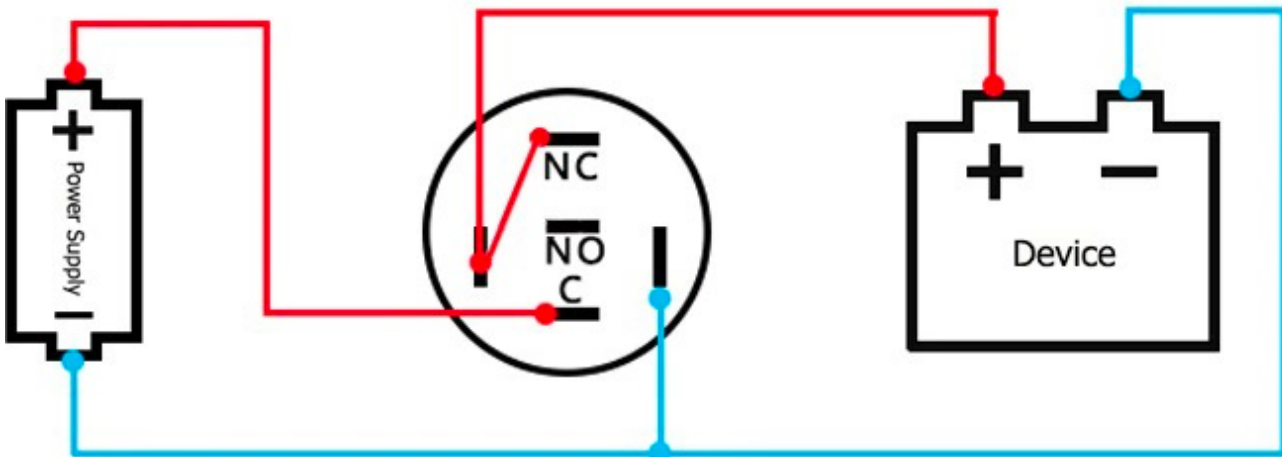
BACKLIGHT ALWAYS ACTIVE, Contact - NC



BACKLIGHT ALWAYS ACTIVE, Contact - NO



BACKLIGHT INACTIVE, ACTIVE AFTER PRESS, Contact - NO



CONSTANT BACKLIGHT, INACTIVE AFTER PRESS, Contact - NC

Product gallery:

