

Metal switch with latch, silver, diameter 25mm, IP65

Product codes:

Reference: AM0326

EAN13: -

UPC: 85365080



Product features:

Power consumption: 0.2 W

Color: Silver

Housing material: Stainless steel

Waterproof grade: IP65

Mounting hole: 22 mm

Max. switching current: 5 A

Max. switching voltage: 265V AC /30 V
DC

Locking: Yes

IC coverage: IK10

Product attributes:

Tension: 12-24 V DC, 110-220 V AC

Backlight color: Red, Green, Blue,
Yellow, White

Product description:

Voltage: 12-24V, 110-230V

Max current: 5A

Mounting diameter: 22mm

Switch diameter: 25mm

Protection: IP65

Size: 25x25x36 mm

CONNECTION



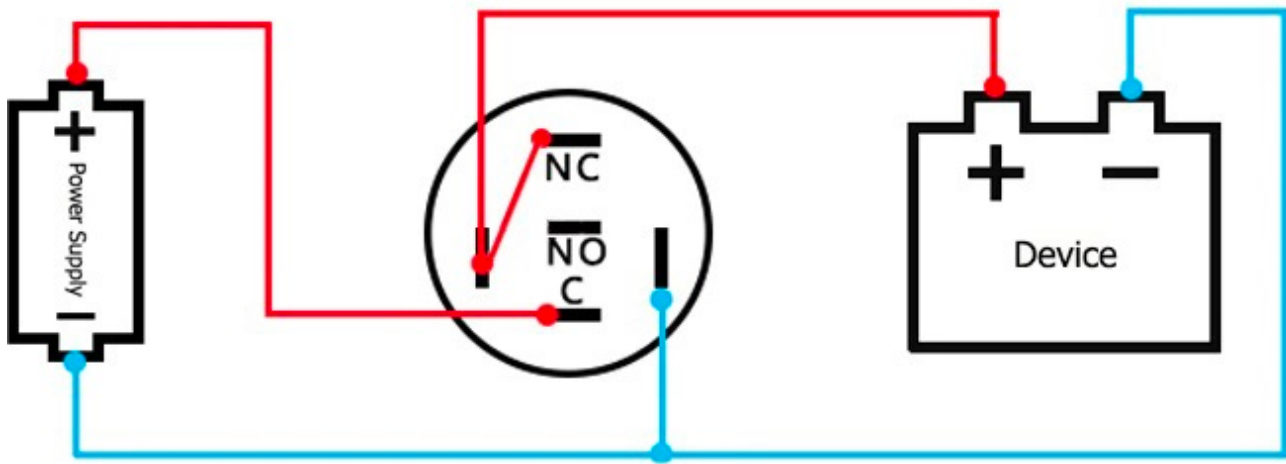
BACKLIGHT ALWAYS ACTIVE, Contact - NC



BACKLIGHT STILL ACTIVE, Contact - NO



BACKLIGHT INACTIVE, ACTIVE AFTER PRESSING, Contact - NO



CONSTANT BACKLIGHT, INACTIVE AFTER PRESSING, Contact - NC

Product gallery:

