

Metal switch without latching, ON/OFF symbol, silver, diameter 21mm, IP65

Product codes:

Reference: AM3321

EAN13: -

UPC: 85365080



Product features:

Power consumption: 0.2 W

Housing material: Stainless steel

Waterproof grade: IP65

Mounting hole: 19 mm

Locking: No

Pictogram: ON/OFF

Max. current: 4 A

Product attributes:

Tension: 12-24 V DC, 110-220 V AC

Backlight color: Red, Green, Blue,
Yellow, White

Product description:

Metal pushbutton switch for panel mounting with a flat head and integrated LED indication in a ring. It is intended for applications where a mechanically resistant design, clear status signaling and standard mounting in a 19 mm hole are required. The design is in black with an ON/OFF pictogram, supplied without connecting wires.

Technical specifications

- Type: metal push button switch (panel)
 - Model number: HY-NY-19
 - Color: silver
 - Arrest: no
-

- Mounting hole: 19 mm
- Thread: M19x1
- Contacts: 1NO1NC
- Max current: 4 A
- Max. voltage: 265 V
- Protection level: IP65
- Indication: LED ring (Ring LED) + pictogram
- LED color variants (depending on design): white, yellow, red, blue, green
- LED voltage (depending on version): 3-6 V, 12-24 V or 110-220 V
- Contact material: silver contacts
- Body material: metal housing, nickel-plated sheath (copper)
- Base: self-extinguishing design
- Working temperature: -25 °C to +80 °C
- Connection: terminals without wires
- Marking on the forehead: ON/OFF pictogram

Functions and features

- Flat head with illuminated ring for clear indication
- Metal design suitable for mechanically stressed installations
- Panel mounting with nut, standard size 19 mm
- 1NO1NC contact combination for flexible wiring
- IP65 protection for use in dusty environments and when sprayed with water

Ideal for

- Machine and equipment control panels
- Industrial cabinets and enclosures
- Power and function control with status indication requirement
- Automation, workshop fixtures and test benches

Package contents

- 1x panel button HY-NY-19 (without connecting wires)

Why choose this product?

- Standard 19 mm mounting and M19x1 thread for common panel applications
- Integrated LED indication in a ring, selectable voltage and LED color options depending on the design
- Durable metal housing and IP65 protection for more demanding operating conditions
- 1NO1NC contact combination for universal use in control circuits

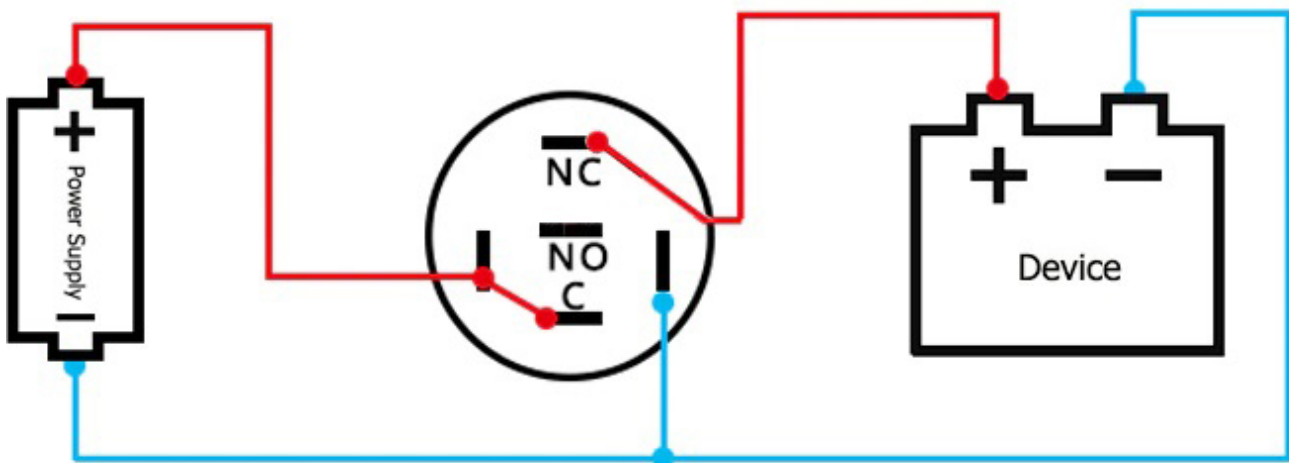
Installation and operating instructions

- Before installation, verify the hole diameter is 19 mm and there is sufficient space for the switch body and terminals.
- Tighten the nut appropriately to avoid damaging the panel or thread.
- Before connecting, verify the required LED voltage and the correct assignment of the NO/NC terminals according to the marking on the switch body.

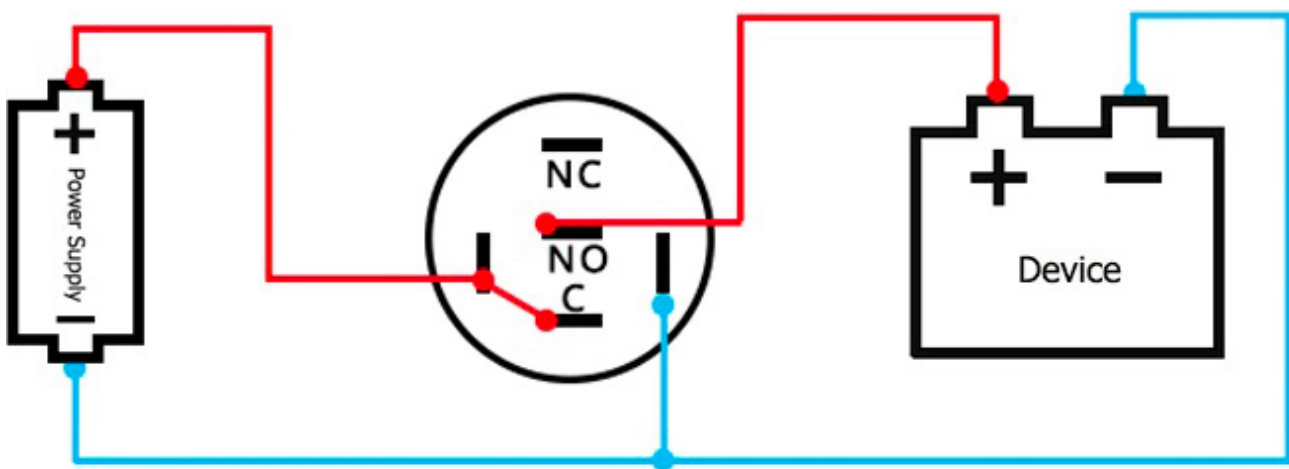
Safety notice

- There is a risk of electric shock when working with voltages of 220-250 VAC or higher than 60 VDC. Installation and service should only be performed with the power disconnected and by a qualified person.
- Observe the insulation distances, fuses and requirements of the relevant standards for the application.

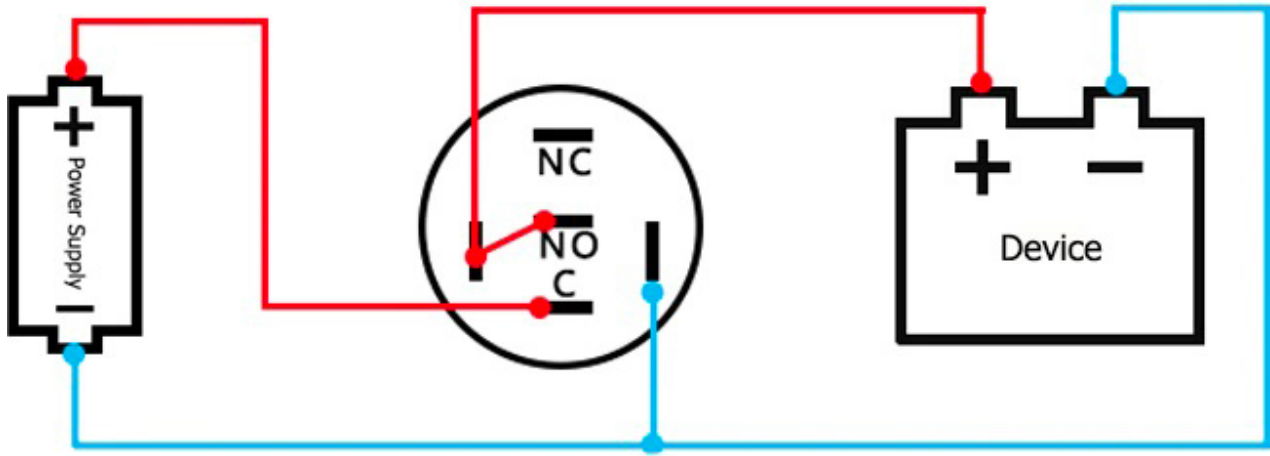
Wiring diagram



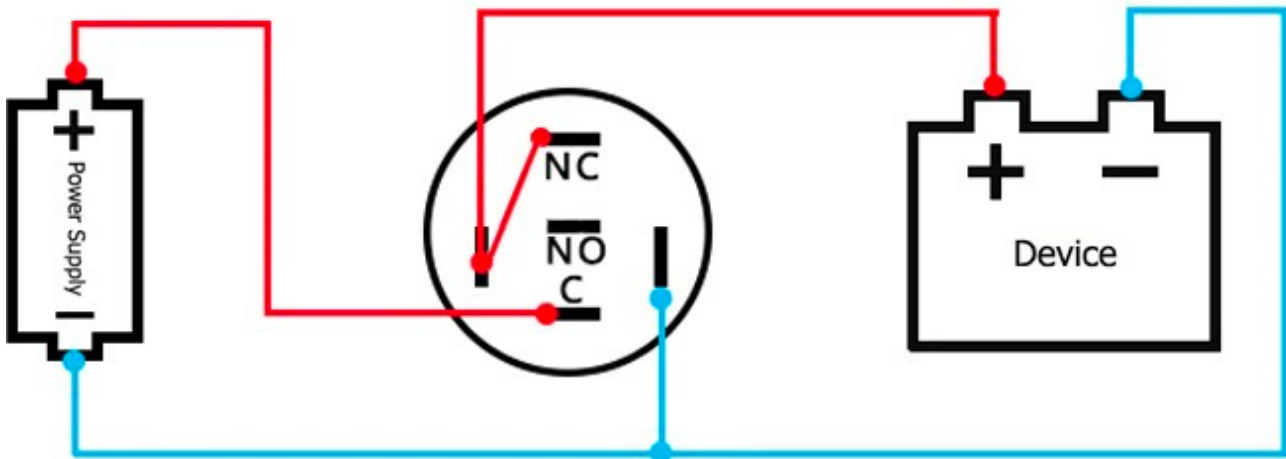
BACKLIGHT ALWAYS ACTIVE, Contact - NC



BACKLIGHT STILL ACTIVE, Contact - NO



BACKLIGHT INACTIVE, ACTIVE AFTER PRESSING, Contact - NO



CONSTANT BACKLIGHT, INACTIVE AFTER PRESSING, Contact - NC

Product gallery:

