

# Metal switch without locking, silver, diameter 21mm, IP65

## Product codes:

Reference: AM6676

EAN13: -

UPC: 85365080



## Product features:

Power consumption: 0.2 W

Housing material: Stainless steel

Waterproof grade: IP65

Mounting hole: 19 mm

Max. switching current: 3 A

Max. switching voltage: 265V AC /30 V

DC

Locking: No

IC coverage: IK10

## Product attributes:

Tension: 12-24 V DC, 110-220 V AC

Backlight color: Red, Green, Blue,

Yellow, White

## Product description:

Voltage: 12-24V, 110-230V

Max. current: 3A

Mounting diameter: 19mm

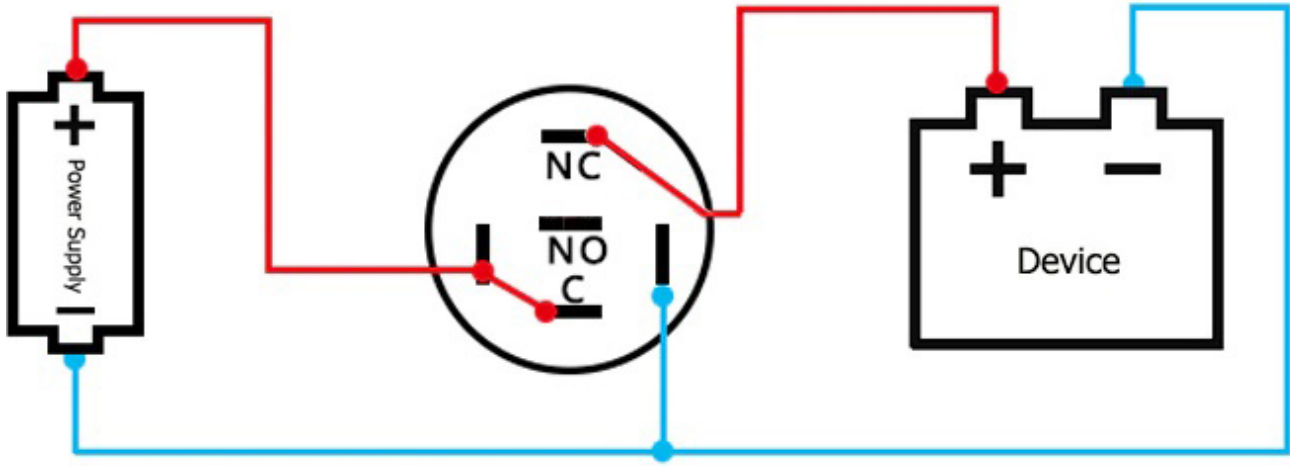
Switch diameter: 21mm

Protection: IP65

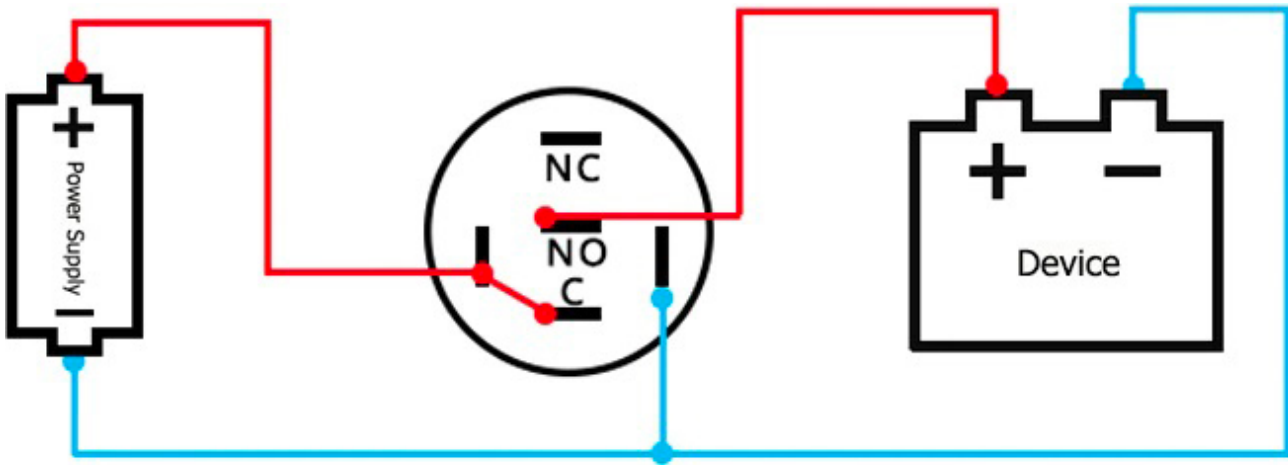
Size: 2.1cm x 2.1cm x 3.9cm

**ENGAGEMENT**

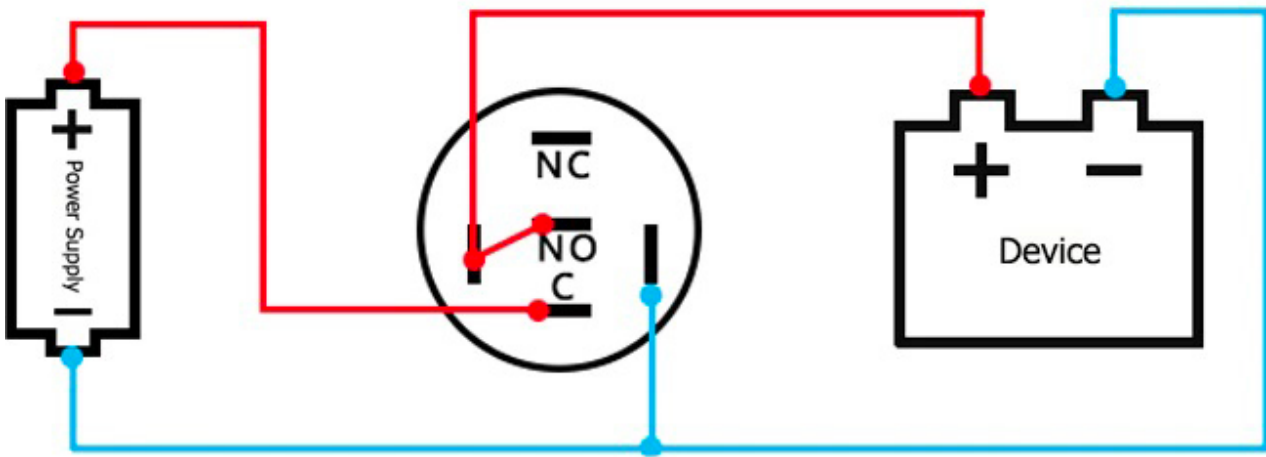
---



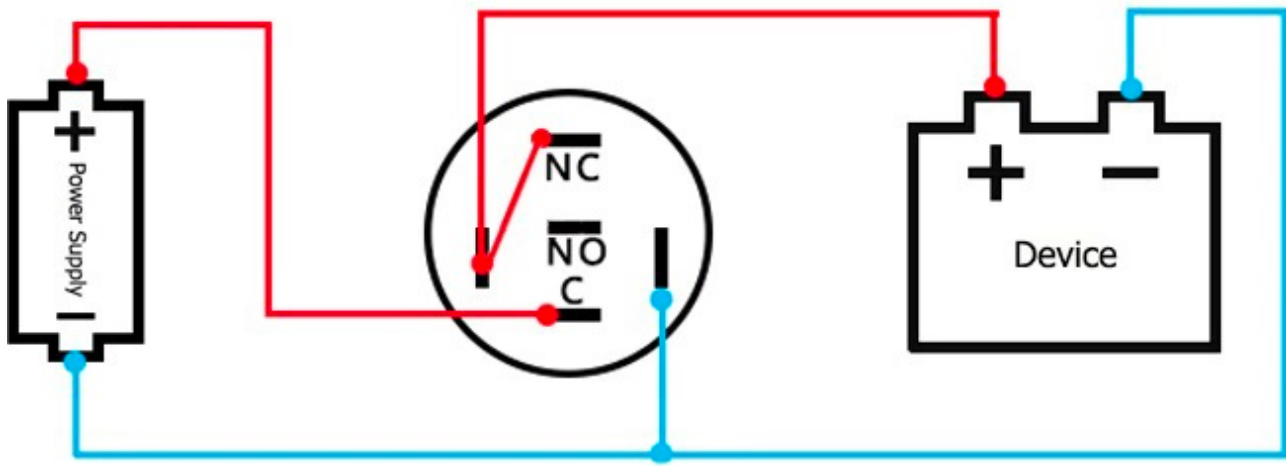
**BACKLIGHT STILL ACTIVE, Contact - NC**



**BACKLIGHT STILL ACTIVE, Contact - NO**



**BACKLIGHT INACTIVE, ACTIVE WHEN PRESSED, Contact - NO**



PERMANENT BACKLIGHT, INACTIVE WHEN PRESSED, Contact - NC

**Product gallery:**

