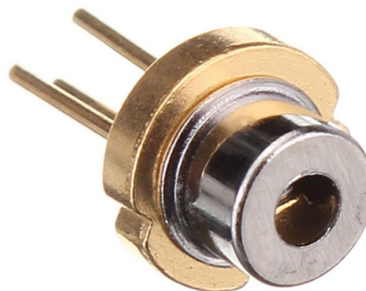


Laserdiode, 635nm, 20mW, Durchmesser 5,6mm

Artikel-Nr.: AM8989
EAN13: -
HS kód: 90132000



Produktvarianten:

Produktparameter:

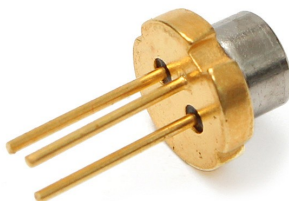
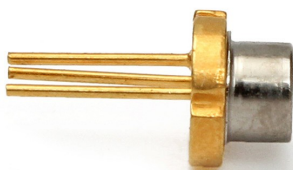
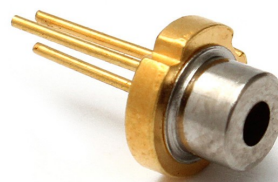
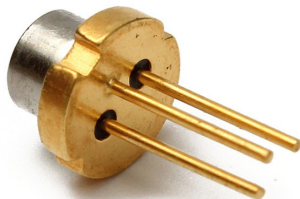
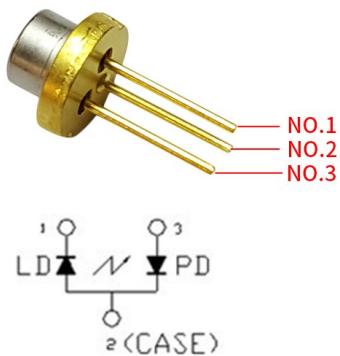
Wellenlänge: 635-640 nm
Gehäuse: TO-18
Abdeckung: IP20

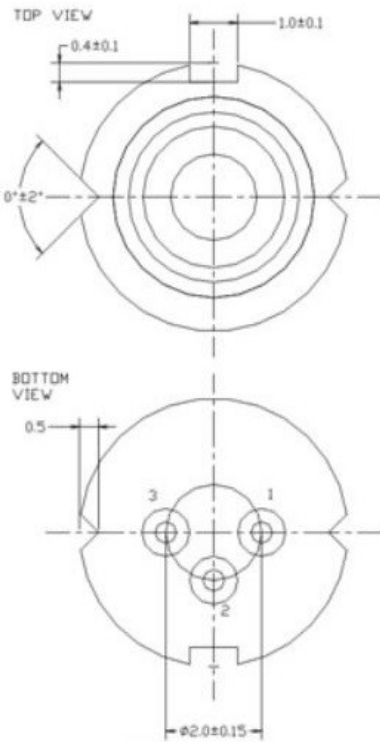
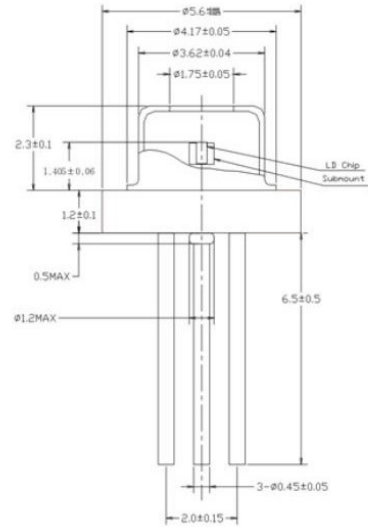
Beschreibung des Produkts:

Laserdiode mit einer Wellenlänge von 635nm und einer Leistung von 20mW.

Wellenlänge 635nm
Spannung 2,3-2,6V
Sperrspannung 10V
Strom 75-85mA
Schutzart IP20
Arbeitstemperatur -10 - 50 °C
Größe 5,6x5,6x10 mm
Preis pro 1 Stk.

Pinbelegung: Pin Nr. 2 (Gehäuse)=ANODE, Pin Nr. 1=LD Kathode, Pin Nr. 3=PD Anode





◆ ABSOLUTE MAXIMUM RATING at Tc=25 °C

| Items | Symbols | Values | Unit |
|-----------------------------|------------------|-----------|------|
| Optical Output Power | P | 22 | mW |
| Laser Diode Reverse Voltage | V | 10 | V |
| Photo Diode Reverse Voltage | V | 30 | V |
| Operating Temperature | T _{op} | -10 ~ +50 | °C |
| Storage Temperature | T _{stg} | -40 ~ +85 | °C |

◆ ELECTRICAL and OPTICAL CHARACTERISTICS at Tc=25 °C

| Items | Symbols | Min. | Typ. | Max. | Unit | Condition |
|----------------------|-----------------|------|------|------|-------|----------------------|
| Optical Output Power | P _o | - | 20 | - | mW | - |
| Threshold Current | I _{th} | - | 50 | 60 | mA | - |
| Operating Current | I _{op} | - | 75 | 85 | mA | P _o =20mW |
| Operating Voltage | V _{op} | - | 2.3 | 2.6 | V | P _o =20mW |
| Slope Efficiency | η _s | 0.4 | 0.7 | 1.0 | mW/mA | P _o =20mW |
| Lasing Wavelength | λ _s | 634 | 639 | 644 | nm | P _o =20mW |
| Beam Divergence | θ _h | 6 | 9 | 12 | deg | P _o =20mW |
| | θ _v | 25 | 30 | 35 | deg | P _o =20mW |
| Beam Angle | Δθ _h | -3 | - | 3 | deg | P _o =20mW |
| | Δθ _v | -3 | - | 3 | deg | P _o =20mW |
| Monitor Current | I _m | 0.1 | 0.2 | 0.4 | mA | P _o =20mW |
| Optical Distance | ΔX, ΔY, ΔZ | - | - | ±60 | um | - |